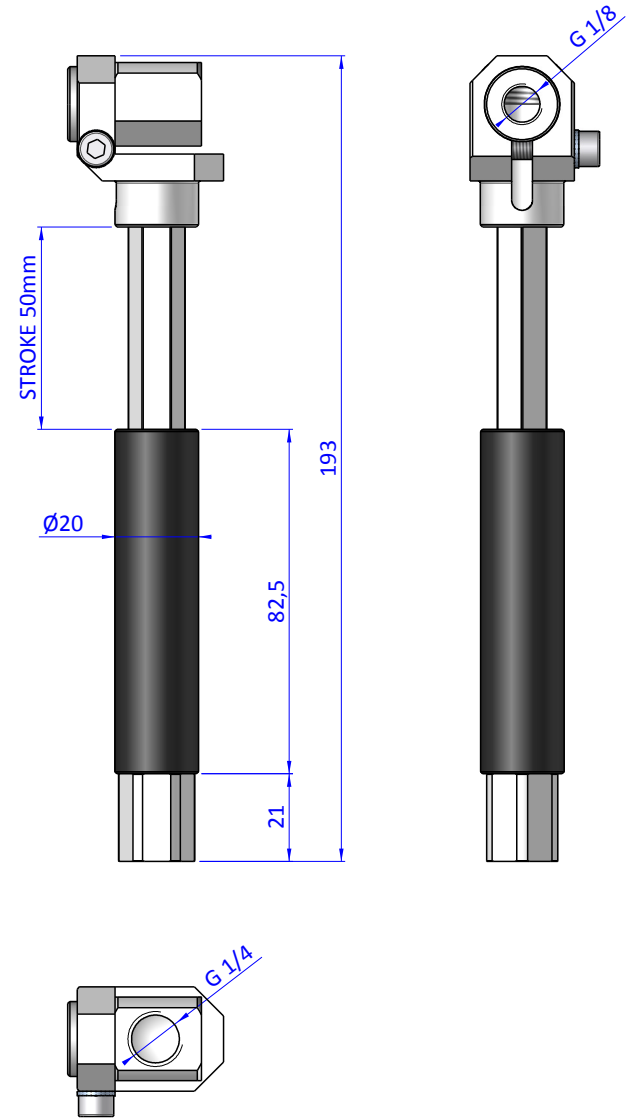
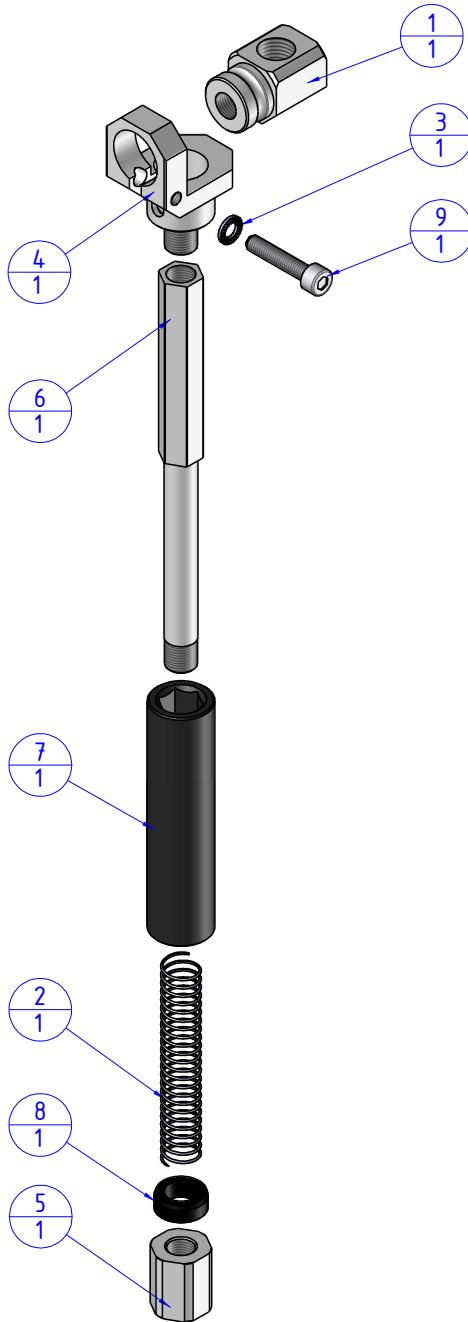


THE PROPERTY OF THE DRAWING IS ESTABLISHED BY LAW. IT IS FORBIDDEN TO PRODUCE OR SHOW IT TO THIRD PARTY, WITHOUT A WRITTEN AGREEMENT.

Object Number	Name	QTY
1	GGB.20.14.18	1
2	M.12X81.5	1
3	R.5.SCH	1
4	SSN.20251418.1	1
5	VSN.20.1	1
6	VSN.2050.4	1
7	VSN.2050.2.1	1
8	VSN.2050.3	1
9	V.TCE5x25	1



Format A3

UNI 936-76

		DESIGNED FROM	REVIEW
		FP SERVICES	A
GENERAL TOLERANCE	DESCRIPTION	DATE	WEIGHT
UNI - ISO 2768	CA.SSN.20501418	08/02/2019	0,121kg
CLASSE f		CODE	CA.SSN.20501418